

# DuraFLEX Petal Seat

The most durable seamless soft seating. Perfect for high traffic spaces like schools, libraries, healthcare, museums, retail, and more. Non-porous and waterproof flexible plastic shell with a flexible foam core. A solid base with fixed legs and the option for caster wheels for mobility. No hidden pockets or stitched seams where bacteria can hide and multiply. Surface can be readily washed and disinfected. Indoor use. Compliant with CAL133 Fire Testing and labeled accordingly. "MAS Certified Green" for healthier indoor air quality. Global Educator Institute (GEI) Endorsed.

### With 1" Height Fixed Legs:

Item # 15010A1\_ \_ : Petal Seat DuraFLEX 12.5" Height, 24 lbs

Item # 15010B1\_ \_ : Petal Seat DuraFLEX 16.5" Height, 30 lbs

### With 2" Height Fixed Legs:

Item # 15010A2\_ \_ : Petal Seat DuraFLEX 13.5" Height, 24 lbs

Item # 15010B2\_ \_ : Petal Seat DuraFLEX 17.5" Height, 30 lbs

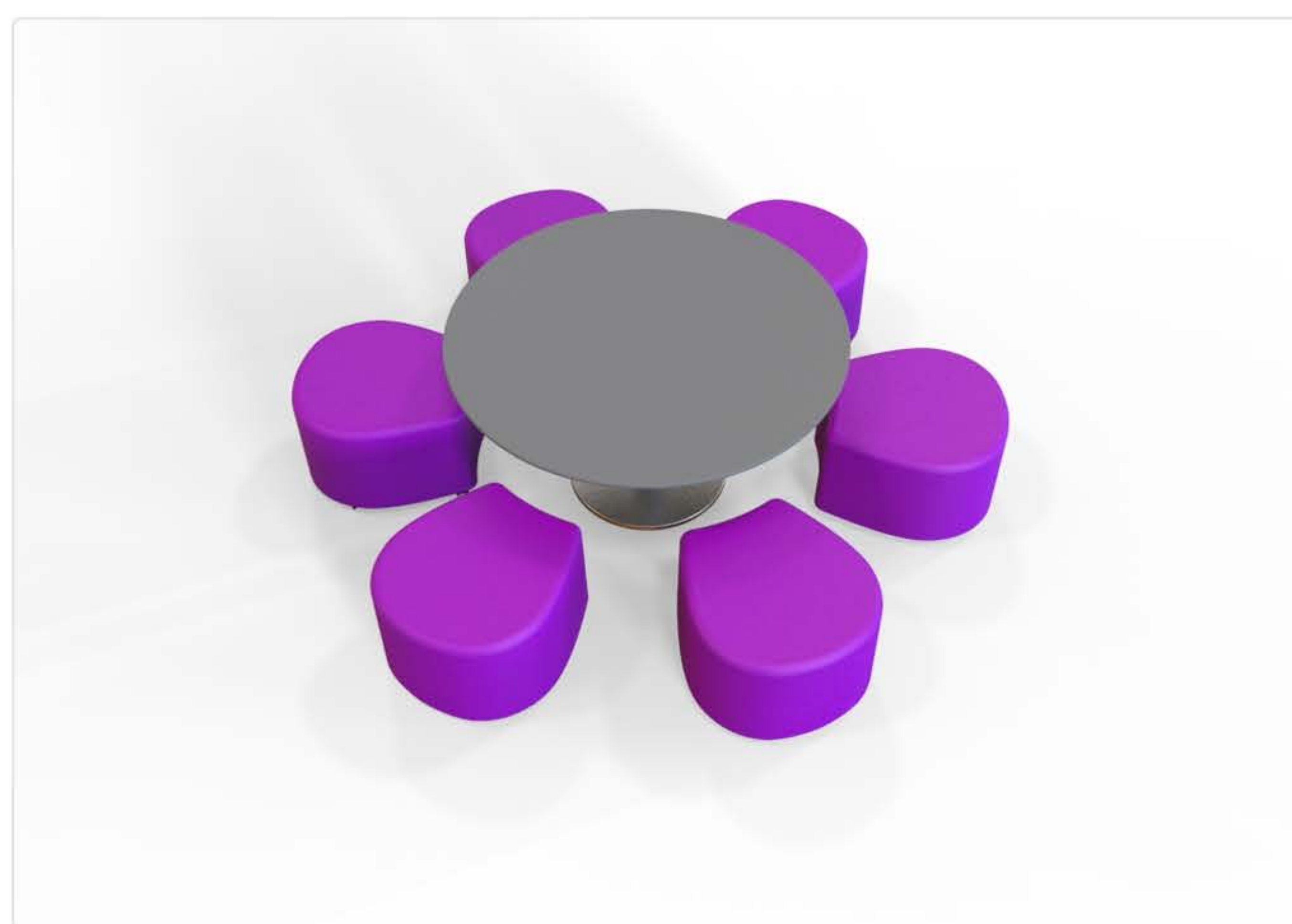
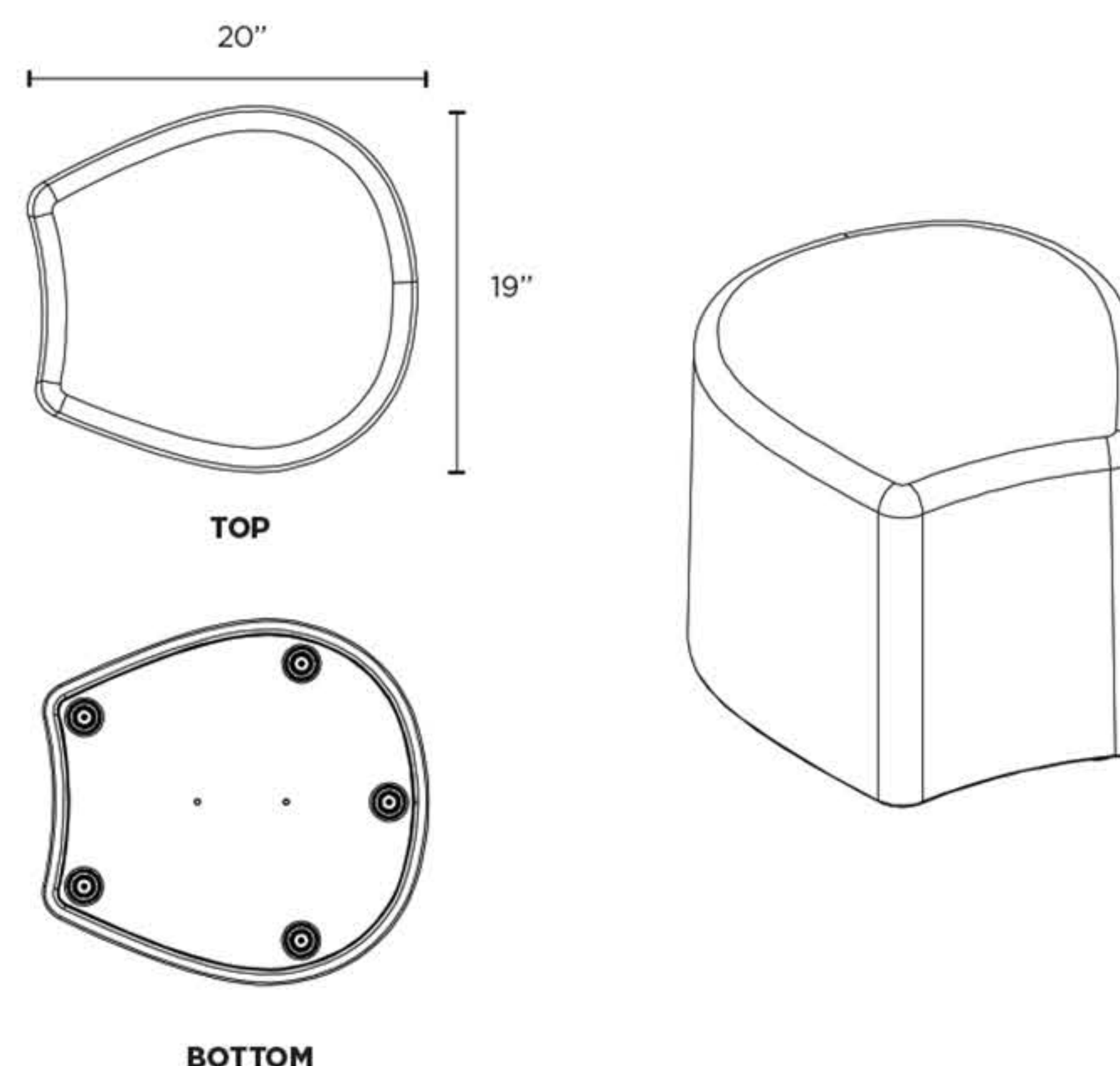
### With 1.75" Caster Wheels w/Brakes:

Item # 15010AC\_ \_ : Petal Seat DuraFLEX 13.25" Height, 25 lbs

Item # 15010BC\_ \_ : Petal Seat DuraFLEX 17.25" Height, 31 lbs

### The Center Table:

Item # 90901XX\_ \_ : 40" Round Top with HPL Finish and 3MM edge, 24" Disc Base with Silver Frost Metallic Finish, Manually Height Adjustable from 20" to 26" Height in 1" increments.



## DuraFlex Standard Colors

