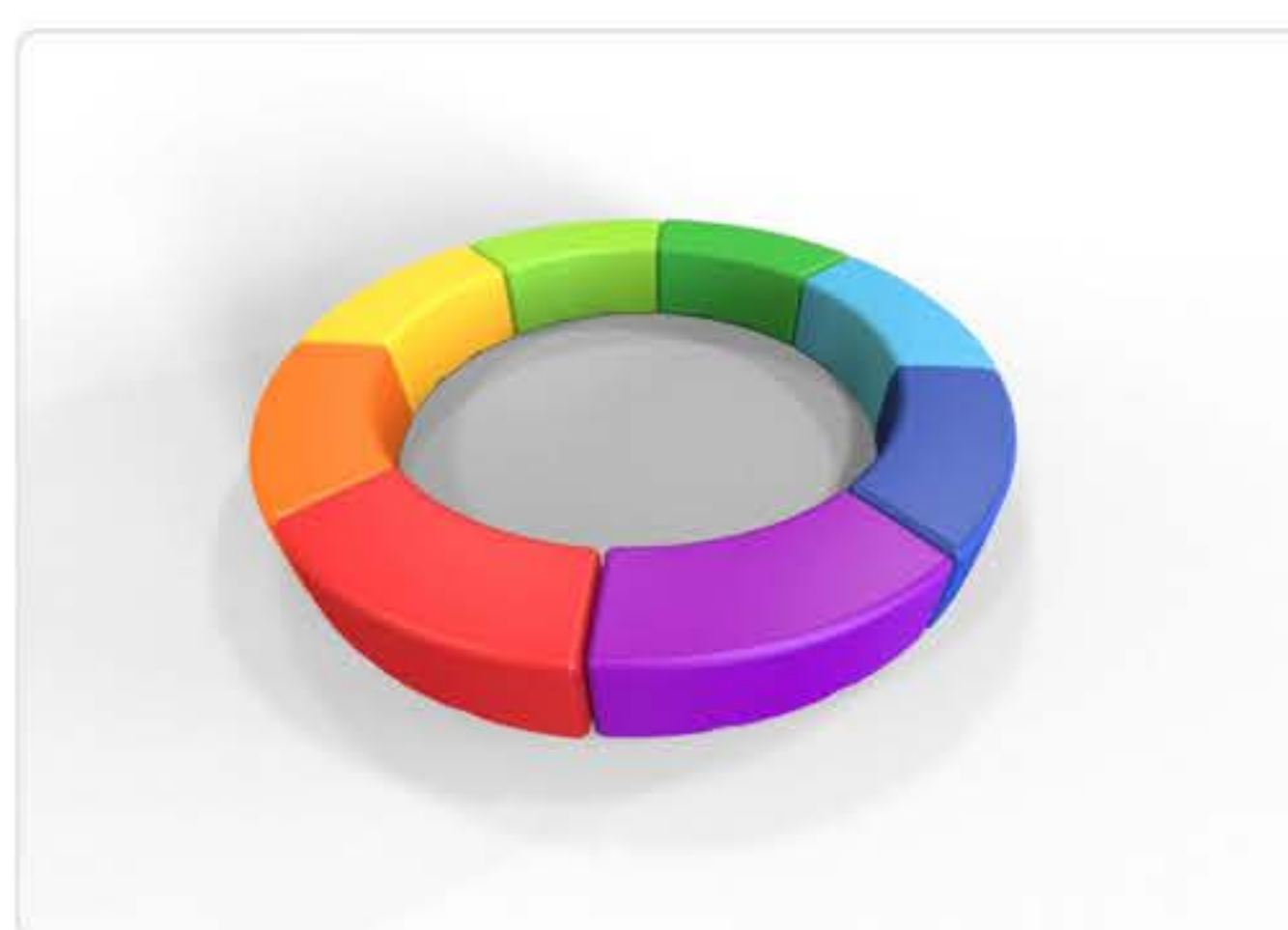
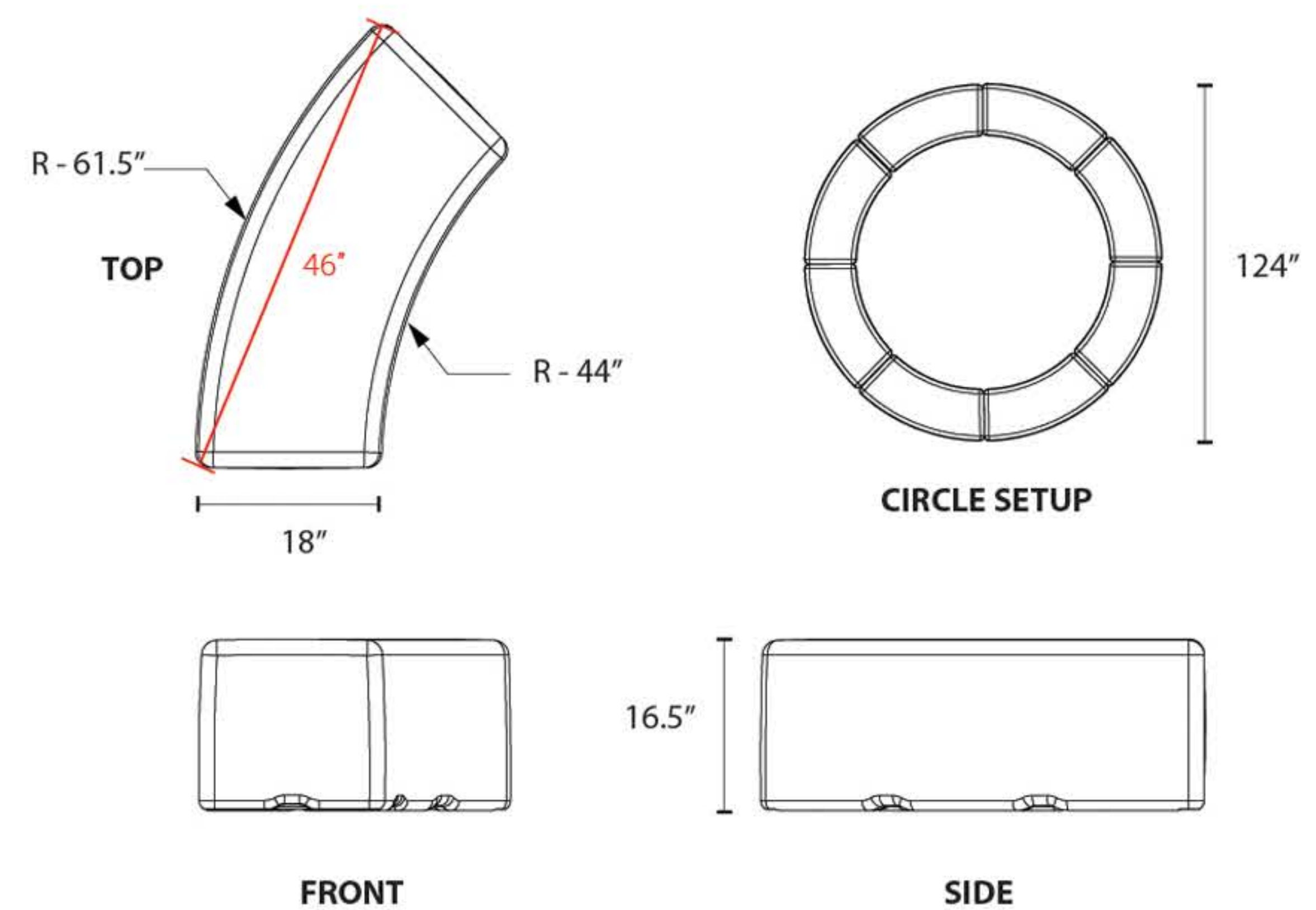


FIRM with Recovered Coastal Plastic (RCP)

Swerve

Utilizing BIONIC® Polymer, Tenjam has made a giant leap forward in recycled materials and proven that Recovered Coastal Plastic (RCP) can be economically recovered, recycled, and turned into high performance products. Tenjam is possibly the first furniture manufacturer in the world to incorporate plastic marine debris into commercial quality furniture and the first to incorporate BIONIC® Polymer into any type of product. BIONIC® Polymer is made with plastic recovered from shorelines, waterways, and coastal communities. FIRM products are made with hard plastic material and suitable for indoor and outdoor environments. 100% Recyclable. "MAS Certified Green" for healthier indoor air quality.

Item # 11701BX_ _: Swerve Bench (arc design): 47" Length x 18" Width x 16.5" Seat Height, 40 lbs



FIRM with RCP Standard Colors

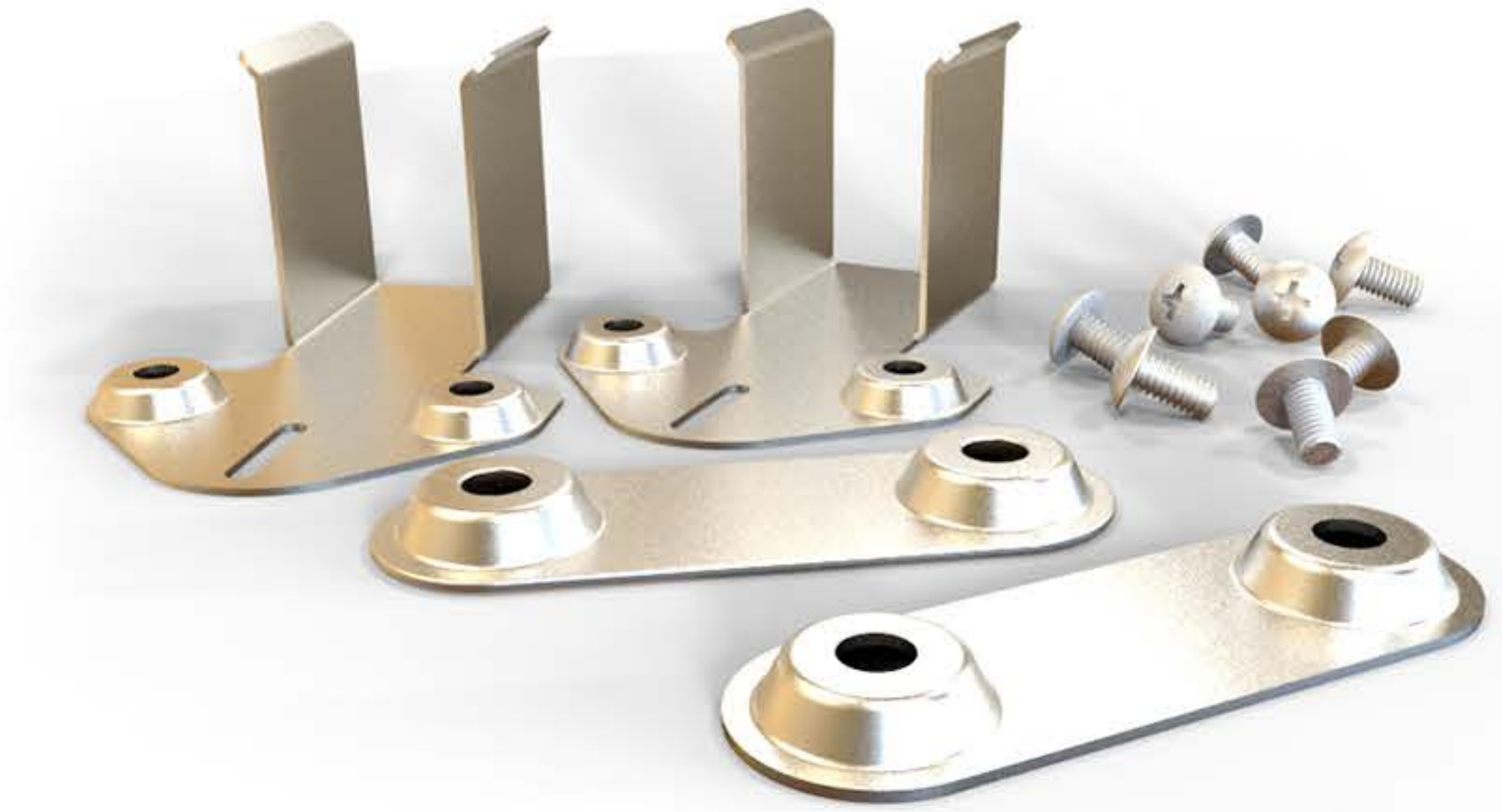
<p>Yellow Color Code: YE</p>	<p>Orange Color Code: OR</p>	<p>Red Color Code: RD</p>	<p>Violet Color Code: VI</p>	<p>Light Blue Color Code: LB</p>	<p>Surf Blue Color Code: SB</p>
<p>Medium Blue Color Code: MB</p>	<p>Dark Blue Color Code: DB</p>	<p>Pure Green Color Code: PG</p>	<p>Lime Green Color Code: LM</p>	<p>Anthracite Grey Color Code: AG</p>	<p>Light Grey Color Code: LG</p>
<p>White Color Code: WH</p>					

GANGING INSTRUCTIONS - SWERVE & DASH

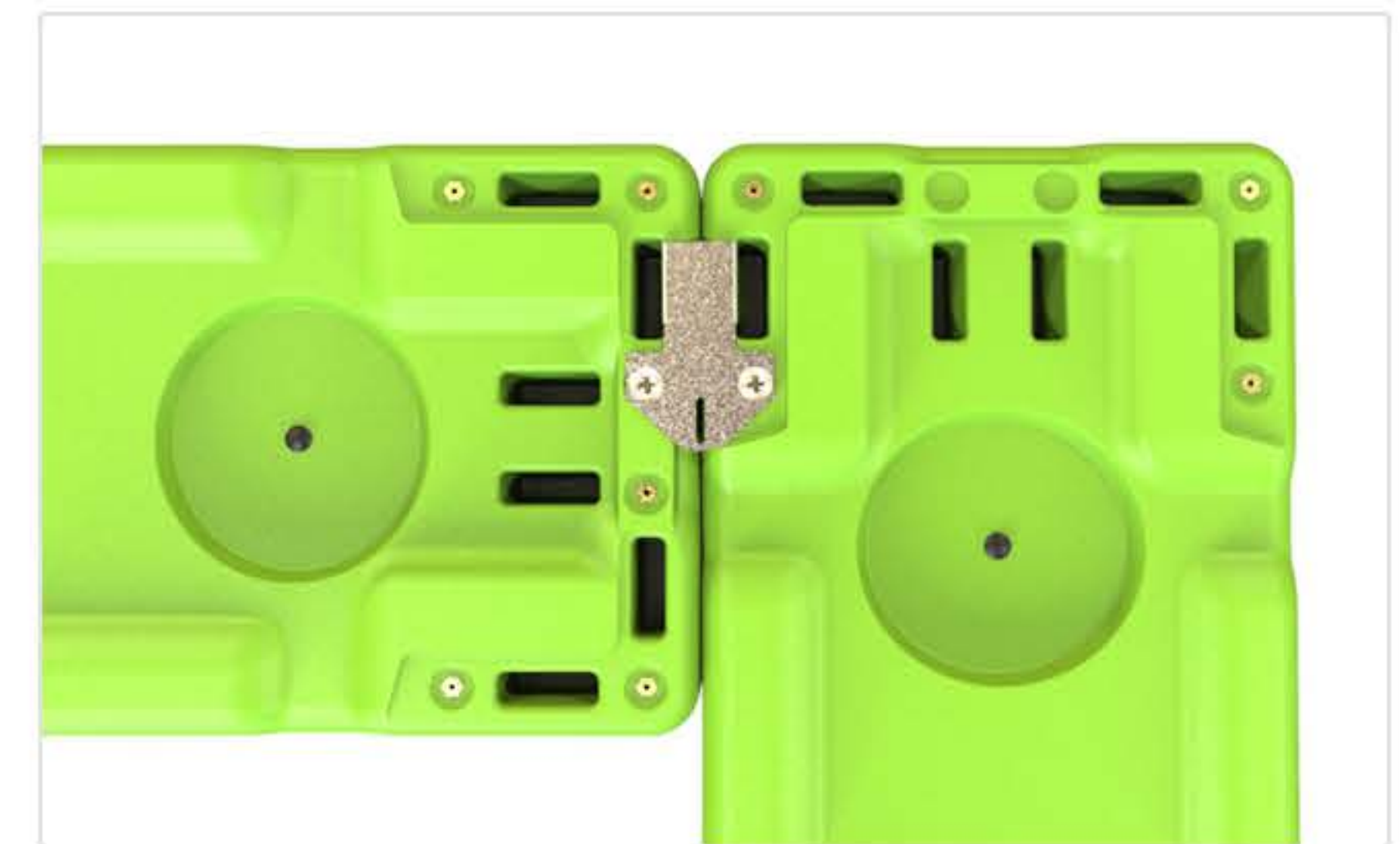
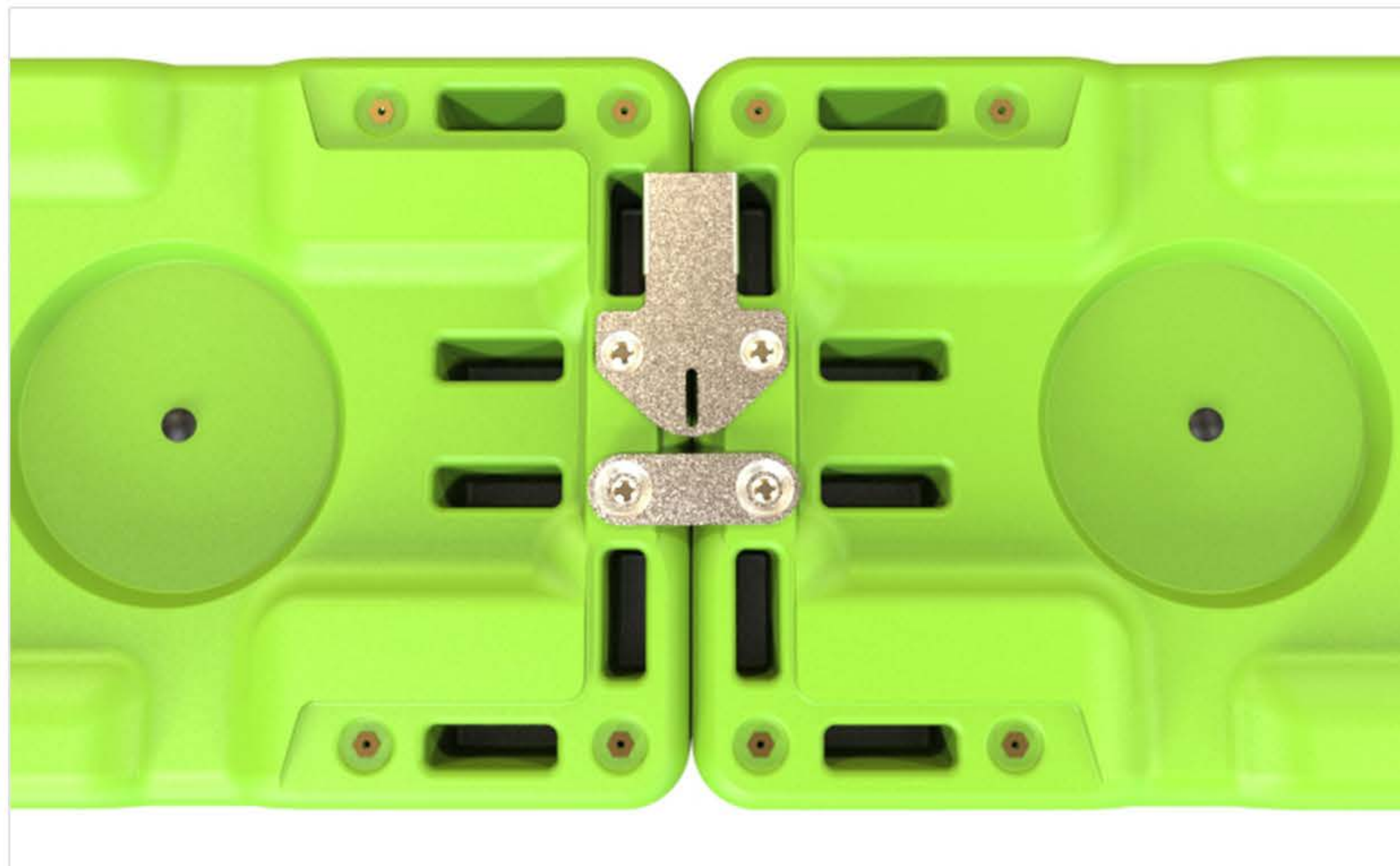
Ganging Bracket Kit for Dash & Swerve

Optional Item # 90501XXSS

Both Swerve and Dash have the ability to be connected to one another in several different configurations, or to be anchored to the floor. This is done with optional ganging brackets made of stainless steel. Kit #90501XXSS includes 2 Deluxe Brackets, 2 Straight Brackets, and 8 mounting screws.



Inline Connections - Hidden Hardware



90 Degree Turn

A single Deluxe Bracket can be used to connect two Dash units at a 90 degree angle, as shown.

The pieces can be connected as shown. Connect inline combinations of Dash & Swerve modular benches together using one Deluxe Bracket and one Simple Bracket.

Securing to the Ground



The Deluxe Brackets can be turned so the head faces outward and reveals the anchoring slot in the bracket. Add your own anchoring fasteners for your type of flooring.