

FIRM with Recovered Coastal Plastic (RCP)

Circ Large

Utilizing BIONIC® Polymer, Tenjam has made a giant leap forward in recycled materials and proven that Recovered Coastal Plastic (RCP) can be economically recovered, recycled, and turned into high performance products. Tenjam is possibly the first furniture manufacturer in the world to incorporate plastic marine debris into commercial quality furniture and the first to incorporate BIONIC® Polymer into any type of product. BIONIC® Polymer is made with plastic recovered from shorelines, waterways, and coastal communities. FIRM products are made with hard plastic material and suitable for indoor and outdoor environments. 100% Recyclable. "MAS Certified Green" for healthier indoor air quality.

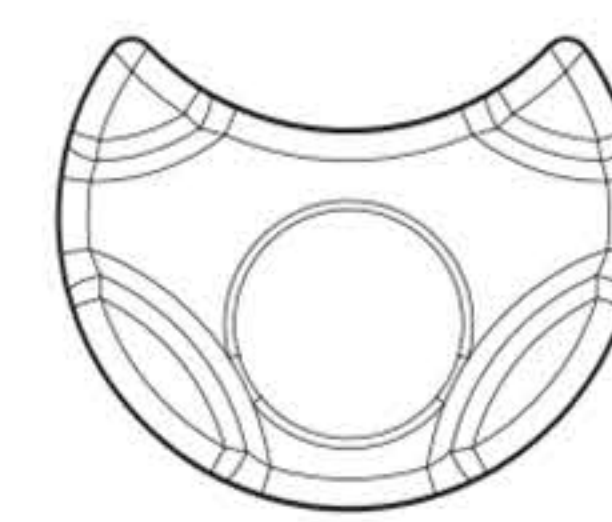
Two Sizes: Fit a wide range of people (ages 3 to adult.)

Item # 11401A: Circ Firm - Small Size: 19.75" Diameter x 13.5" Seat Height, 11.5 lbs

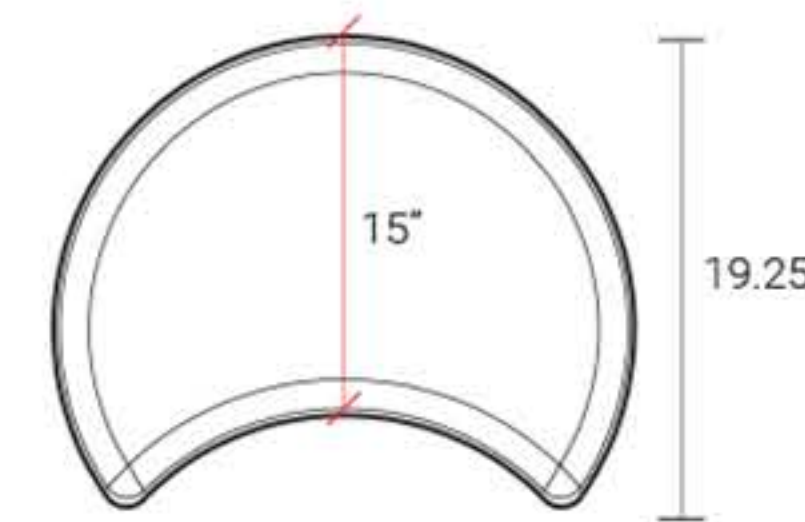
Item # 11401B: Circ Firm - Large Size: 23.75" Diameter x 16.5" Seat Height, 17 lbs



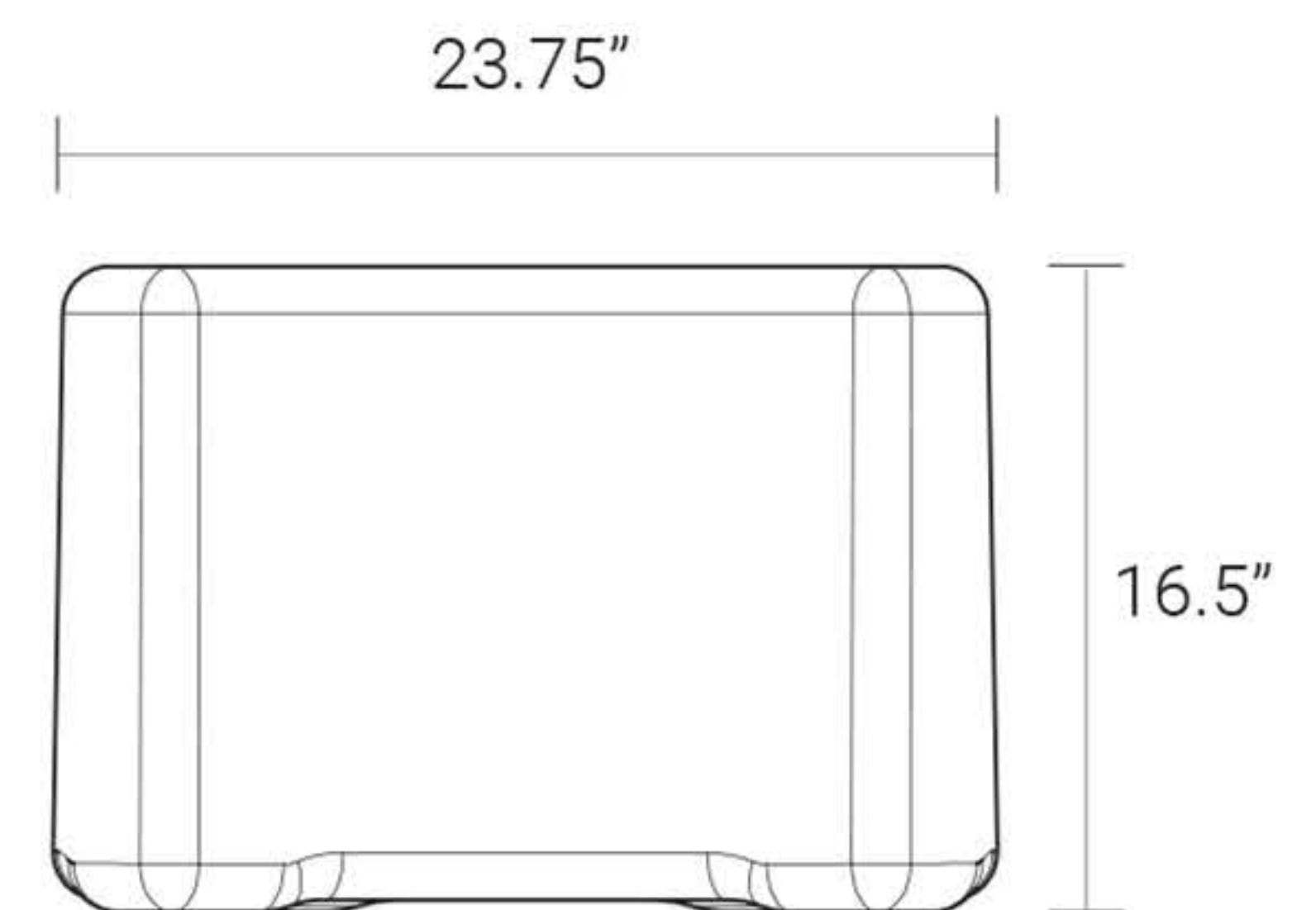
16.5" Seat Height



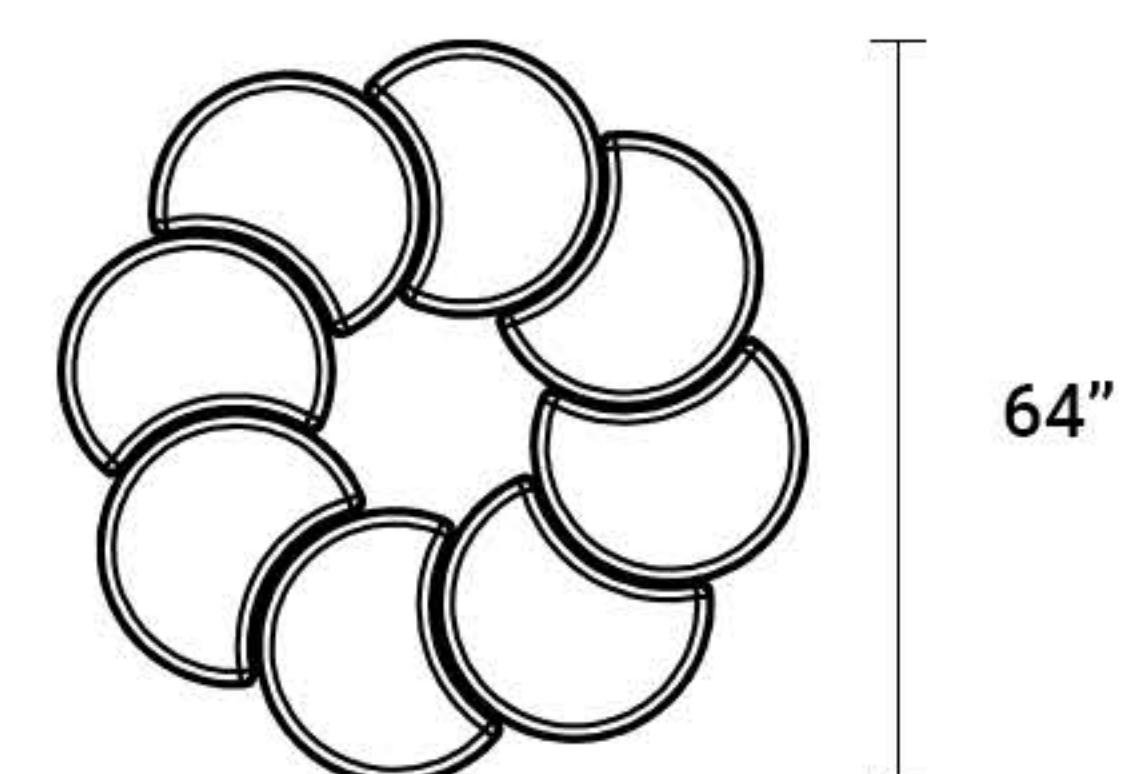
BOTTOM



TOP



FRONT


FIRM with RCP Standard Colors
