

FIRM with Recovered Coastal Plastic (RCP)

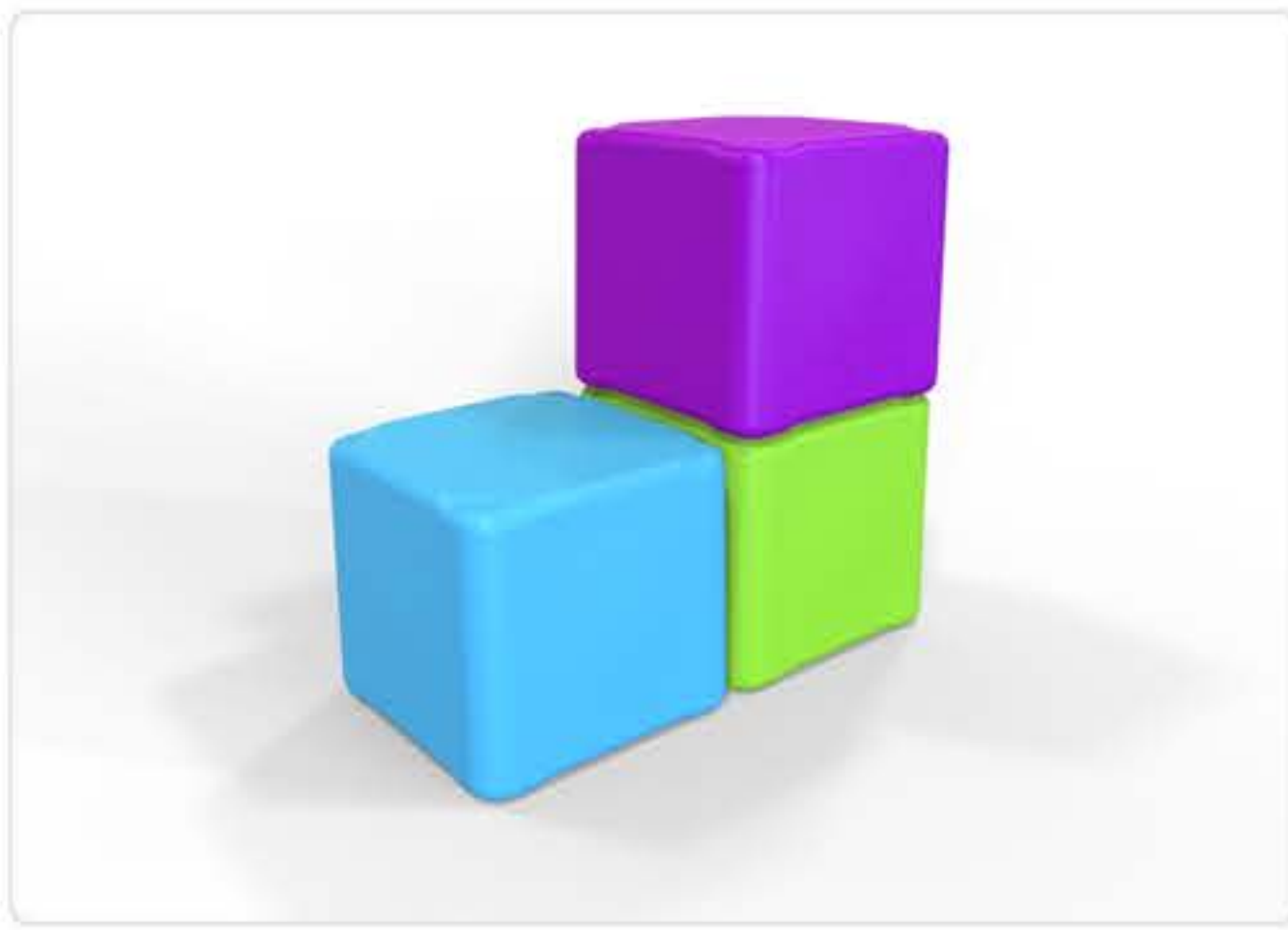
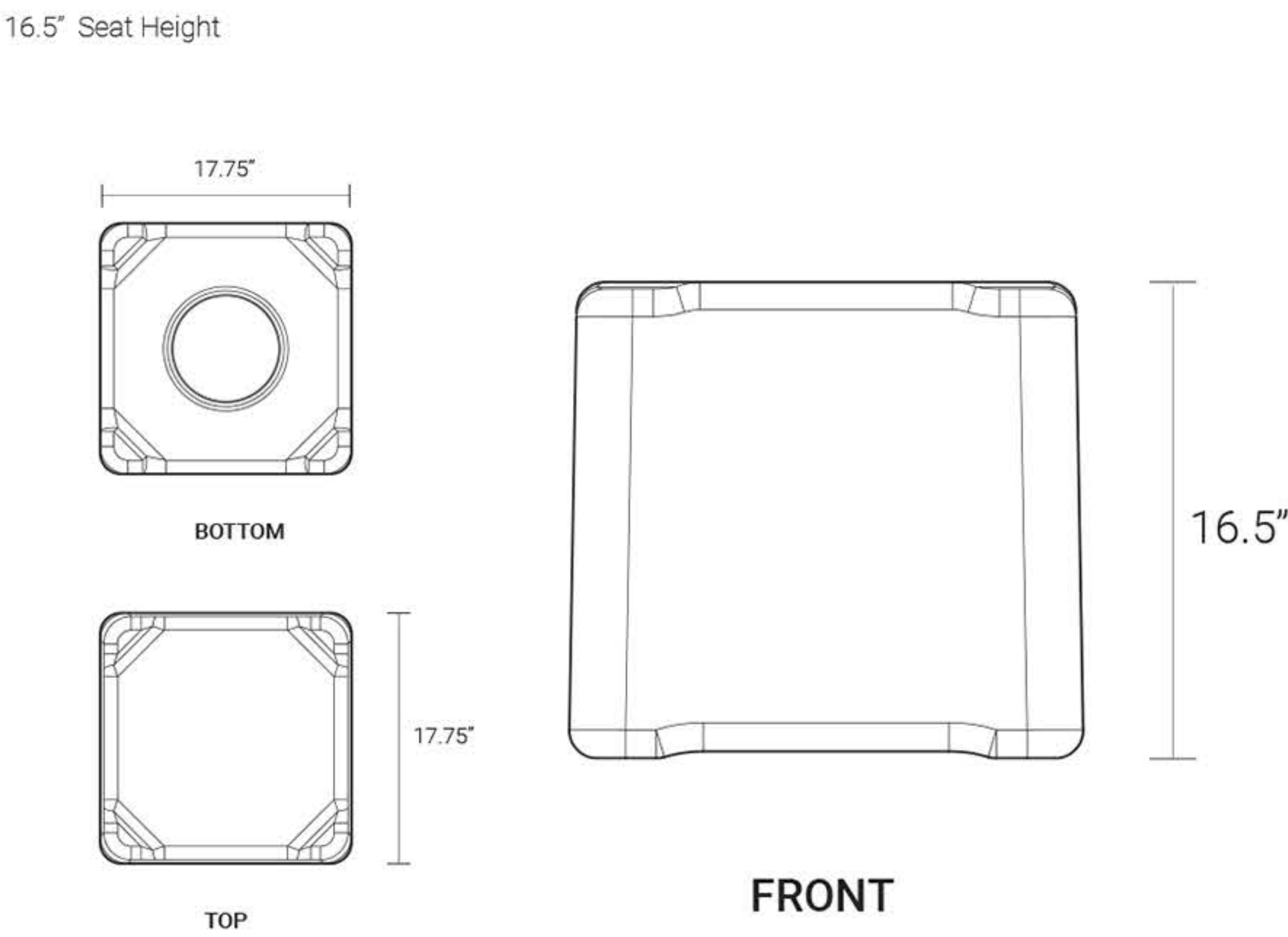
Cube Large

Utilizing BIONIC® Polymer, Tenjam has made a giant leap forward in recycled materials and proven that Recovered Coastal Plastic (RCP) can be economically recovered, recycled, and turned into high performance products. Tenjam is possibly the first furniture manufacturer in the world to incorporate plastic marine debris into commercial quality furniture and the first to incorporate BIONIC® Polymer into any type of product. BIONIC® Polymer is made with plastic recovered from shorelines, waterways, and coastal communities. FIRM products are made with hard plastic material and suitable for indoor and outdoor environments. 100% Recyclable. "MAS Certified Green" for healthier indoor air quality.

Two Sizes: Fit a wide range of people (ages 3 to adult.)

Item # 11201A: Cube Firm - Small Size: 14.75" L x 14.75" W x 13.5" Seat Height, 8.5 lbs

Item # 11201B: Cube Firm - Large Size: 17.75" L x 17.75" W x 16.5" Seat Height, 14 lbs



FIRM with RCP Standard Colors

<p>Yellow Color Code: YE</p>	<p>Orange Color Code: OR</p>	<p>Red Color Code: RD</p>	<p>Violet Color Code: VI</p>	<p>Light Blue Color Code: LB</p>	<p>Surf Blue Color Code: SB</p>
<p>Medium Blue Color Code: MB</p>	<p>Dark Blue Color Code: DB</p>	<p>Pure Green Color Code: PG</p>	<p>Lime Green Color Code: LM</p>	<p>Anthracite Grey Color Code: AG</p>	<p>Light Grey Color Code: LG</p>
<p>White Color Code: WH</p>					