

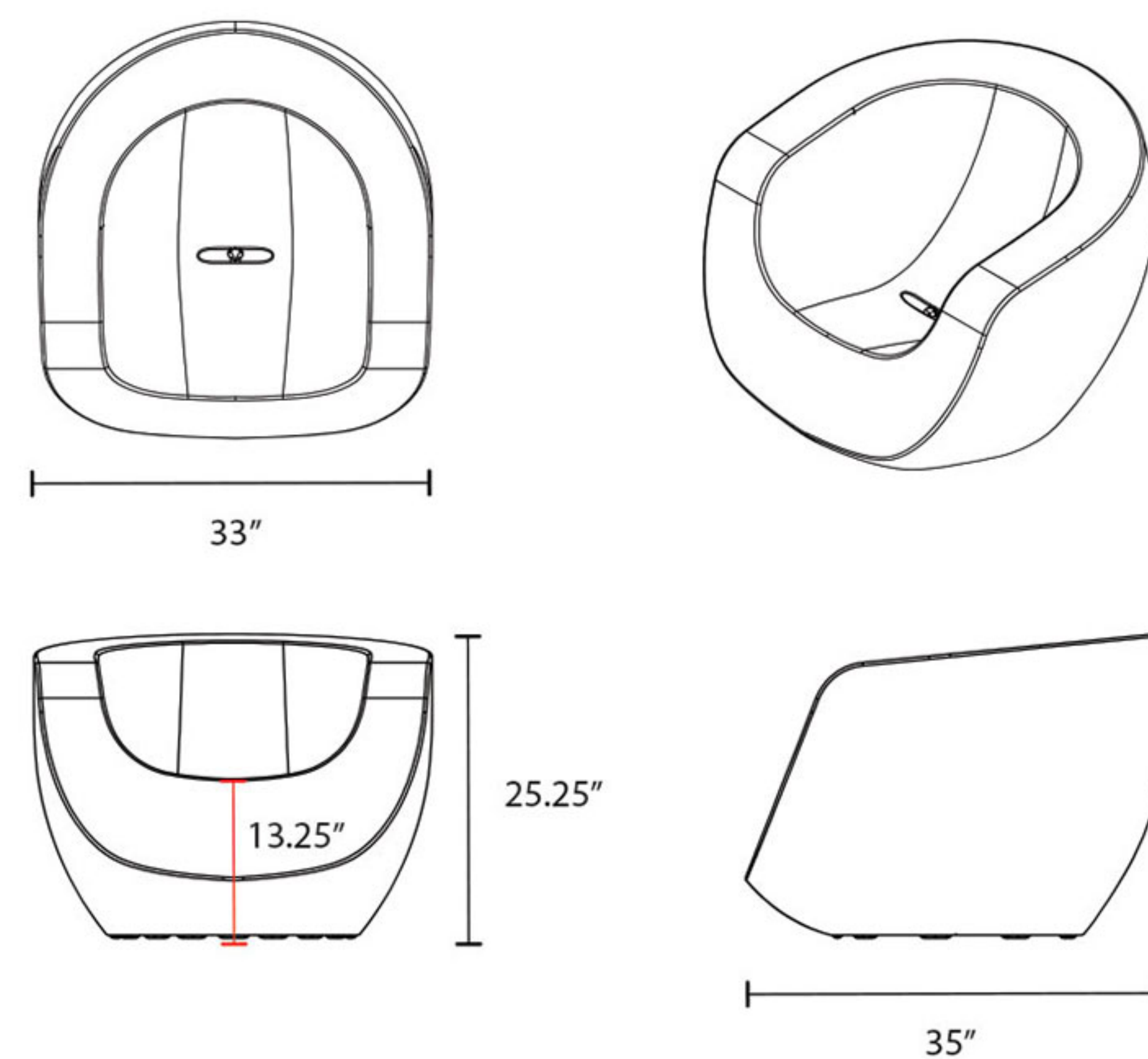
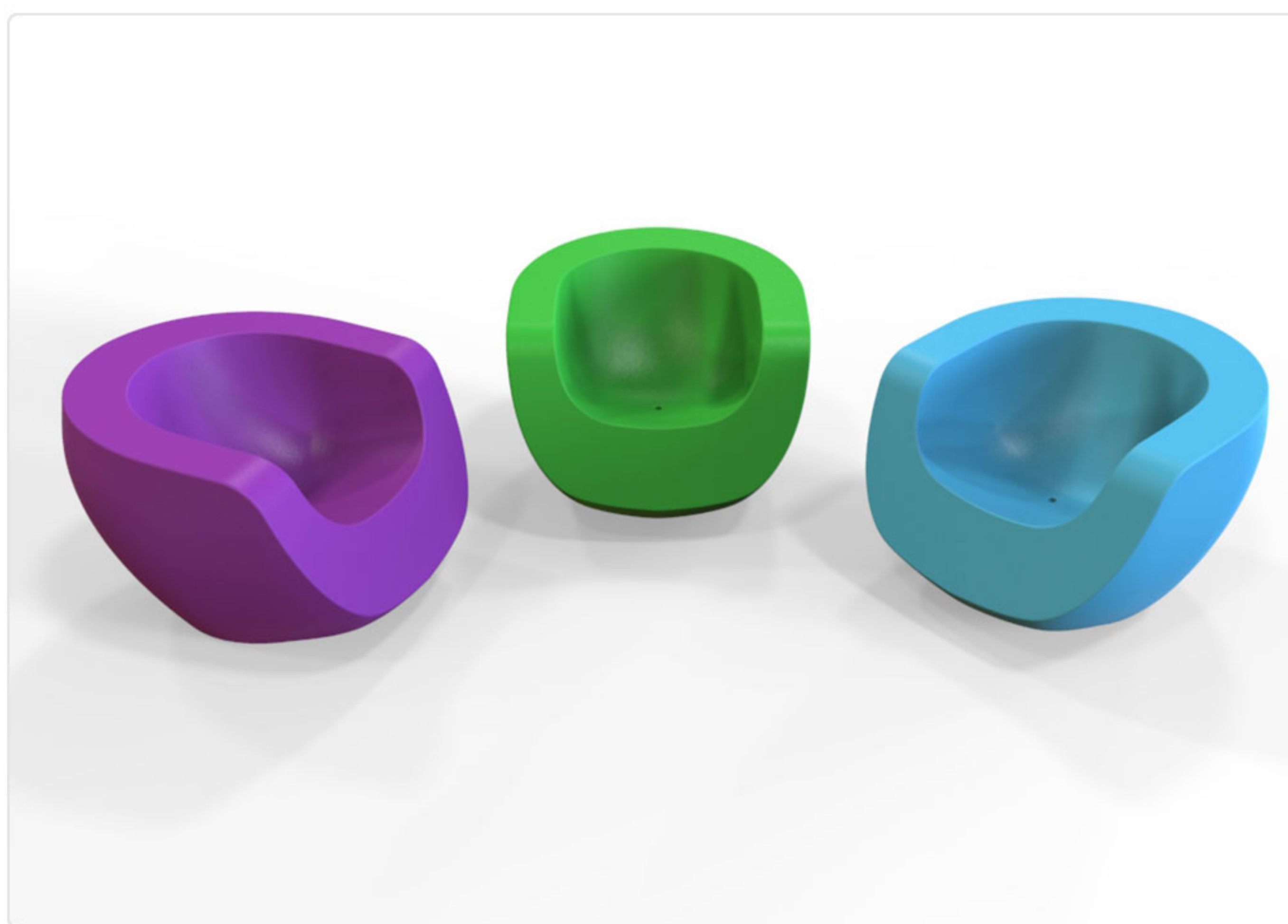
**FIRM** with Recovered Coastal Plastic (RCP)

# Moon Chair

Designed by **Mike To, Hong Kong**

Utilizing BIONIC® Polymer, Tenjam has made a giant leap forward in recycled materials and proven that Recovered Coastal Plastic (RCP) can be economically recovered, recycled, and turned into high performance products. Tenjam is possibly the first furniture manufacturer in the world to incorporate plastic marine debris into commercial quality furniture and the first to incorporate BIONIC® Polymer into any type of product. BIONIC® Polymer is made with plastic recovered from shorelines, waterways, and coastal communities. FIRM products are made with hard plastic material and suitable for indoor and outdoor environments. 100% Recyclable. "MAS Certified Green" for healthier indoor air quality.

**#22102BX\_ \_: Moon Chair: 35" Length x 33" Width x 13.25" Seat Height, 42 lbs**



FIRM with RCP Standard Colors

<b>Yellow</b> <i>Color Code: YE</i>	<b>Orange</b> <i>Color Code: OR</i>	<b>Red</b> <i>Color Code: RD</i>	<b>Violet</b> <i>Color Code: VI</i>	<b>Light Blue</b> <i>Color Code: LB</i>	<b>Surf Blue</b> <i>Color Code: SB</i>
<b>Medium Blue</b> <i>Color Code: MB</i>	<b>Dark Blue</b> <i>Color Code: DB</i>	<b>Pure Green</b> <i>Color Code: PG</i>	<b>Lime Green</b> <i>Color Code: LM</i>	<b>Anthracite Gray</b> <i>Color Code: AG</i>	<b>Medium Gray</b> <i>Color Code: MG</i>
<b>White</b> <i>Color Code: WH</i>					