

Crescent - Small

FIRM - Recovered Coastal Plastic



Two Sizes: Fit a wide range of people (ages 3 to adult.)

Item # 11401AX_ _: Crescent Firm - Small Size

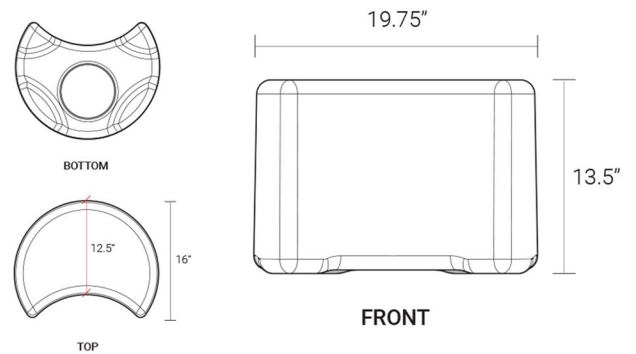
19.75" Diameter - 13.5" Seat Height, 10 lbs

Item # 11401BX_ _: Crescent Firm - Large Size

23.75" Diameter - 16.5" Seat Height, 17 lbs

Tenjam has made a giant leap forward in recycled materials and proven that Recovered Coastal Plastic (RCP) can be economically recovered, recycled, and turned into high performance products. RCP is plastic debris recovered from shorelines, waterways, and coastal communities where it's intercepted before entering the ocean. All Tenjam FIRM Series products include a varying percentage of RCP material in their construction. This is a hard plastic product suitable for indoor and outdoor environments. 100% recyclable. Certified for healthy indoor air quality.

13.5" Seat Height



FIRM with RCP Standard Colors

 Yellow Color Code: YE	 Orange Color Code: OR	 Red Color Code: RD	 Violet Color Code: VI
 Pure Green Color Code: PG	 Lime Green Color Code: LM	 Anthracite Gray Color Code: AG	 Medium Gray Color Code: MG
 Light Blue Color Code: LB	 Surf Blue Color Code: SB	 Medium Blue Color Code: MB	 Dark Blue Color Code: DB
 Cobblestone Color Code: CS	 Gray Granite Color Code: GG	 River Rock Color Code: RR	

