

# Curved Pentagon

DuraFLEX - Seamless Soft Seating



## With 2" Height Fixed Legs:

Item # 15004A2\_ \_: Curved Pentagon DuraFLEX 13.5" Height, 25 lbs

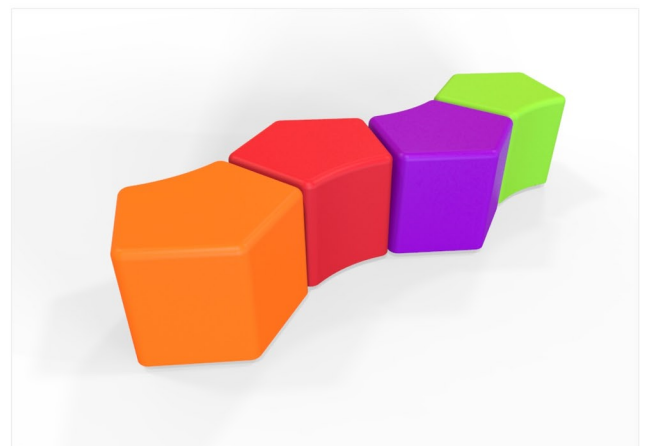
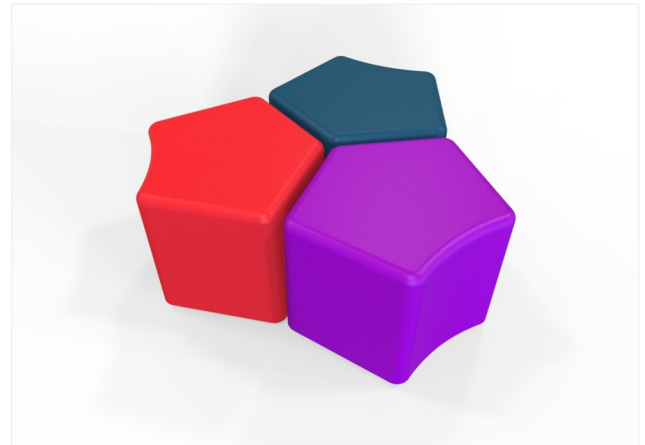
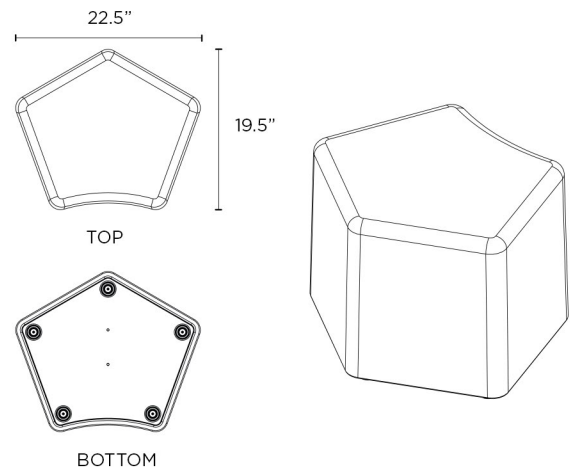
Item # 15004B2\_ \_: Curved Pentagon DuraFLEX 17.5" Height, 30 lbs

## With 2" Caster Wheels w/Brakes:

Item # 15004AC\_ \_: Curved Pentagon DuraFLEX 13.5" Height, 26 lbs

Item # 15004BC\_ \_: Curved Pentagon DuraFLEX 17.5" Height, 31 lbs

The most durable seamless soft seating. Perfect for high traffic spaces like schools, libraries, healthcare, museums, retail, and more. Non-porous and waterproof flexible plastic shell with a flexible foam core. A solid base with fixed legs and the option for caster wheels for mobility. No hidden pockets or stitched seams where bacteria can hide and multiply. Surface can be readily washed and disinfected. Indoor use. Compliant with CAL133 Fire Testing and labeled accordingly. "MAS Certified Green" for healthier indoor air quality. Global Educator Institute (GEI) Endorsed.



## DuraFLEX Standard Colors



Orange

Color Code: **OR**



Red

Color Code: **RD**



Violet

Color Code: **VI**



Lime Green

Color Code: **LM**



Medium Blue

Color Code: **MB**



Dark Blue

Color Code: **DB**



Anthracite Gray

Color Code: **AG**



Medium Gray

Color Code: **MG**