



ELEVATE

TIERED LOUNGE SEATING

SESSION Series

We set out on a journey to learn what people really wanted in their tiered lounge seating and Elevate is the answer to their needs. Elevate uses materials that are most common in durable outdoor playground structures: rotationally molded hard polyethylene seats and outdoor powder coated steel frames. These materials hold up to foot traffic and energetic students, while making sure sanitization is a breeze. The open frame design ensures the cleaning crew can easily sweep underneath, and spills & gunk don't get trapped behind or between. People are known to drop things and with Elevate it's easy to reach under the frame to retrieve items. People asked for seats that were extra wide so we went with 47" seats and now two people can sit

without having to be crunched together. They wanted seating that could be moved, stacked, and easily fit through doorways - Elevate delivers, and you can even stack two units to make some extra space if needed.

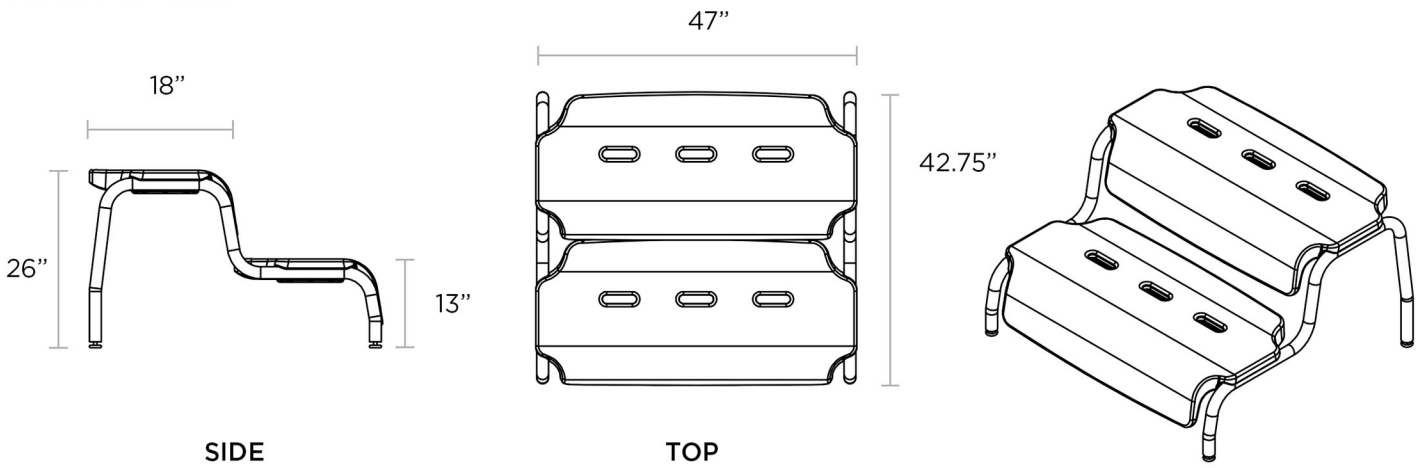
- Easy to clean and sanitize.
- Ultra-low VOC emissions to promote healthy indoor air quality.
- Fire test compliant with CAL117-2013 and has zero added flame retardant chemicals.
- Supports up to 500 lbs per seat.
- Rounded edges and corners for safety.
- Seat sheds liquids and dries fast.
- Easy to access the stainless steel leveling glides to reduce rocking on uneven surfaces.
- 100% recyclable.



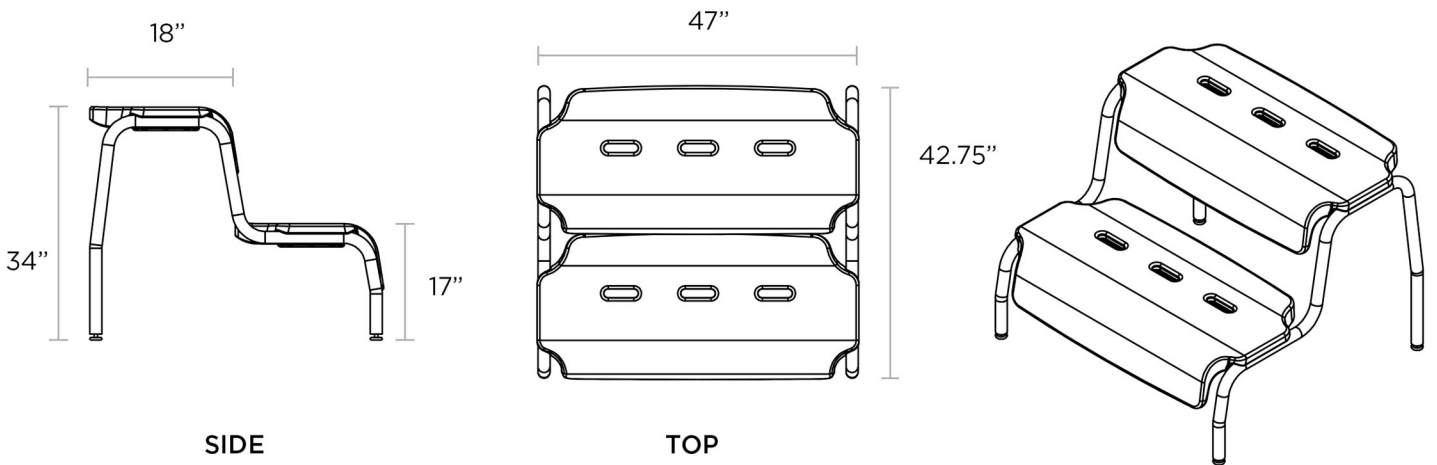
STAINLESS STEEL LEVELING GLIDES

EASY TO CLEAN

Elevate 13" Tiers



Elevate 17" Tiers



PRODUCT CODES

13" Tier Height





#75013BASE __ TOP __ - Elevate 13" Tiers (26" total height), 83 lbs

17" Tier Height

#75017BASE __ TOP __ - Elevate 17" Tiers (34" total height), 89 lbs

STANDARD TOP COLORS

2 digit color code corresponds to the blank spaces in the product SKUs above.

 Lime Green LM	 Yellow YE	 Orange OR	 Red RD	 Violet VI	 Sea Foam Green SF
 Surf Blue SB	 Light Blue LB	 Medium Blue MB	 Dark Blue DB	 Desert Tan DT	 Medium Gray MG
 Anthracite Gray AG	 White WH	 Cobblestone CS	 Gray Granite GG	 River Rock RR	

STANDARD BASE COLORS

 Light Grey LG
--

INCLUDED PARTS				REQUIRED TOOLS
Seat (x2)	Left & Right Leg Frames	Screw (x24)	Washer (x24)	Phillips head screwdriver

Step 1

Spread out a towel or moving blanket. You can also cut the sides of the box so the box spreads out flat on the ground. This is to protect the plastic seats from scratching during assembly.

Step 2

Place the plastic seats upside down on the towel or blanket so the front lip of the seat is facing upwards.

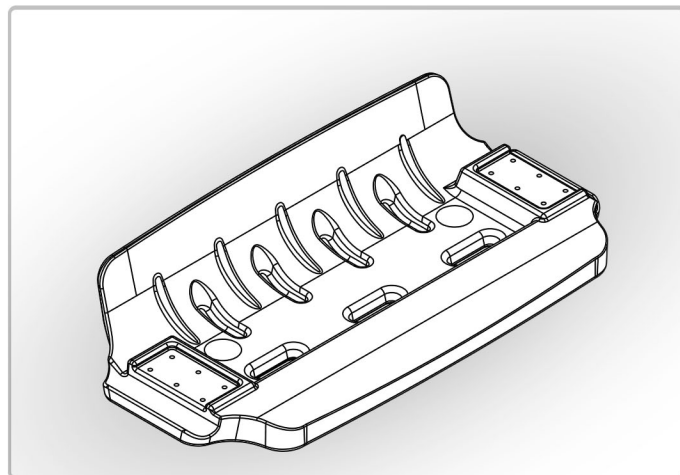


Diagram: Step 2

Step 3

The leg frame has a flat metal plate that needs to be secured to bottom of the plastic seats with 6 screws/washers per plate. Align the leg frame so the holes in the metal plate align with the threaded metal inserts in the bottom of the plastic seat and loosely tighten, but do not fully tighten screws until all 12 screws and washers are inserted per side.

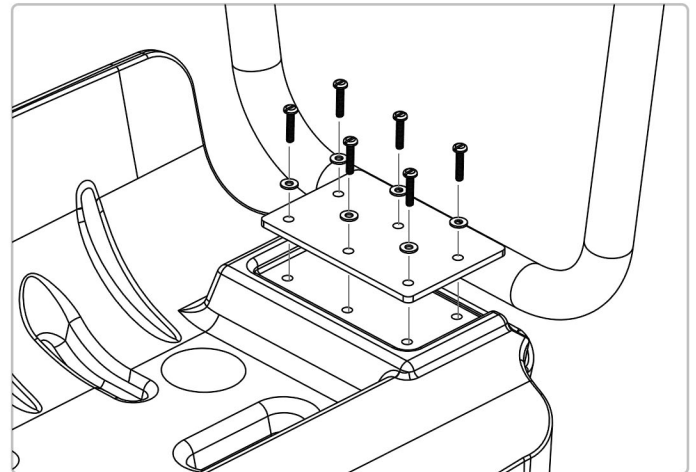


Diagram: Step 3

Step 4

After both leg frames are secured to the plastic seats you may fully tighten all 24 screws.

