



CUBE CIRCLE CRESCENT

SESSION Series

Two seating heights (14" and 17") are offered to fit people ages 5 to adult. Rotationally molded hard polyethylene material for supreme impact strength. Waterproof and weather resistant. Engineered for year-round outdoor use and also great for high-traffic indoor spaces. Bring on the sun, sand, snow, salt, and rain...these products can take it. Can be used as a seat, ottoman, or side table.

- Easy to clean and sanitize.
- Ultra-low VOC emissions to promote healthy indoor air quality.
- Fire test compliant with CAL117-2013 and has zero added flame retardant chemicals.
- Each shape and size supports up to 750 lbs.
- Includes Santoprene® rubber legs for floor grip and protection.
- Rounded edges and corners for safety.
- Slightly crowned top surface sheds liquids and dries fast.
- 100% recyclable.

CUBE



CIRCLE



CRESCENT



CRESCENT

CIRCLE



CUBE + TENJAM TABLE



CUBE + TENJAM TABLE

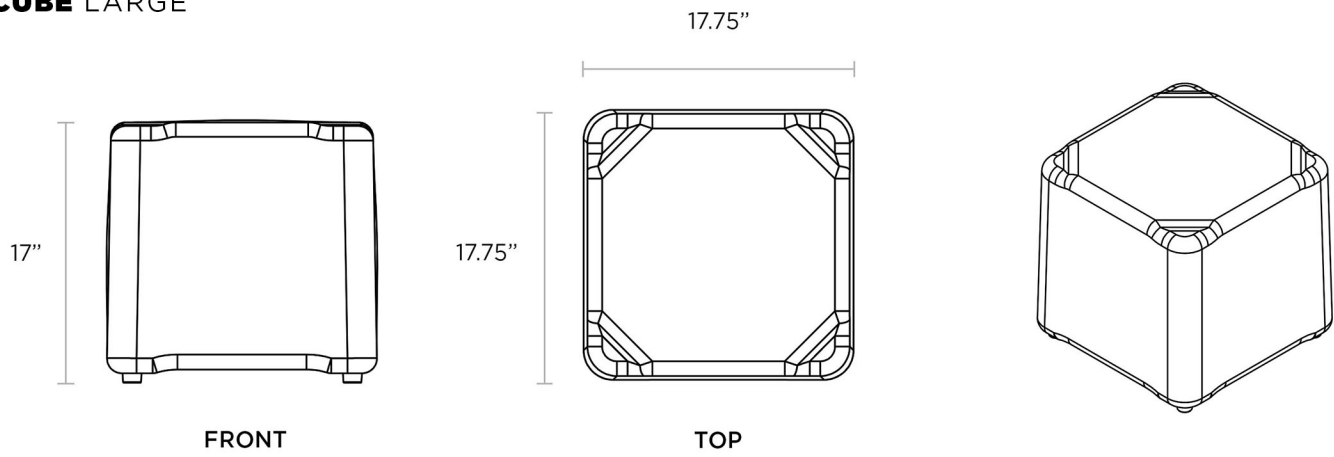


CUBE

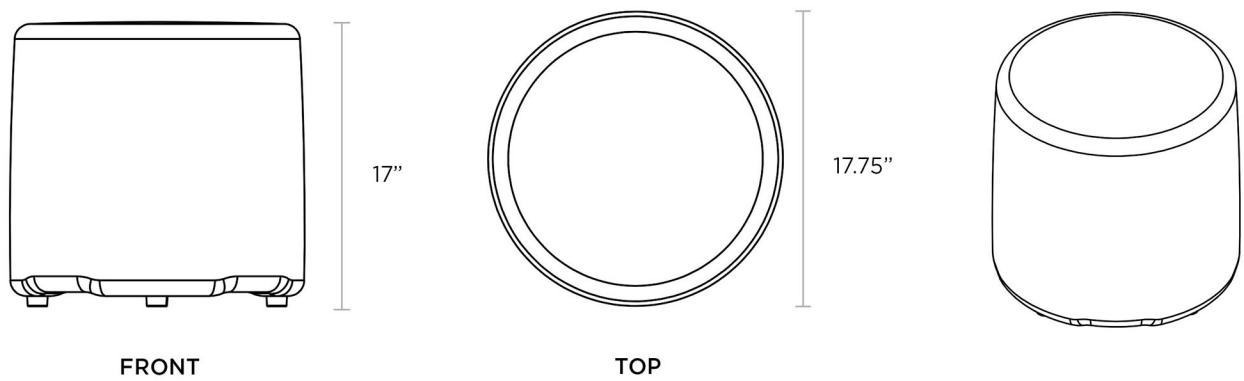


DIMENSIONS LARGE

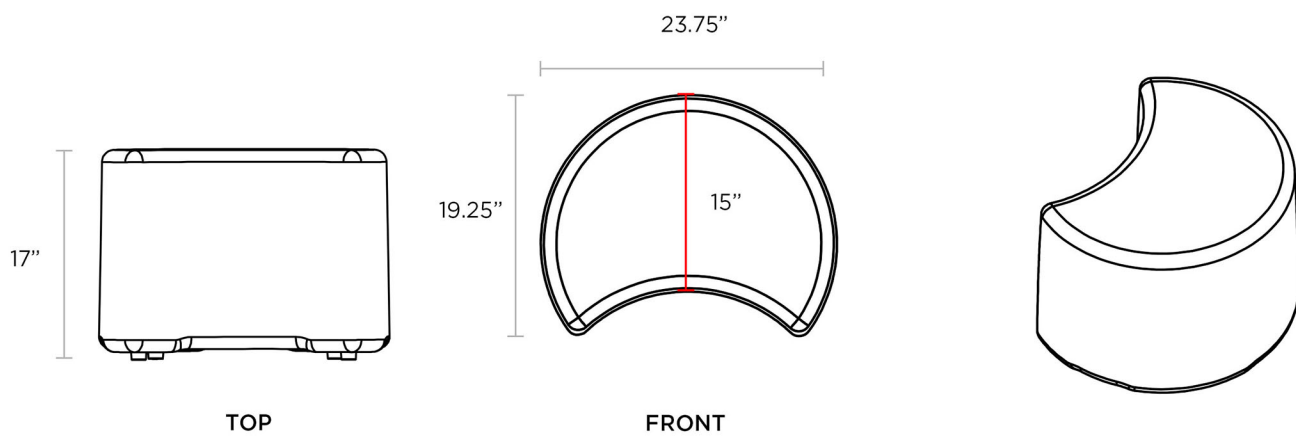
CUBE LARGE



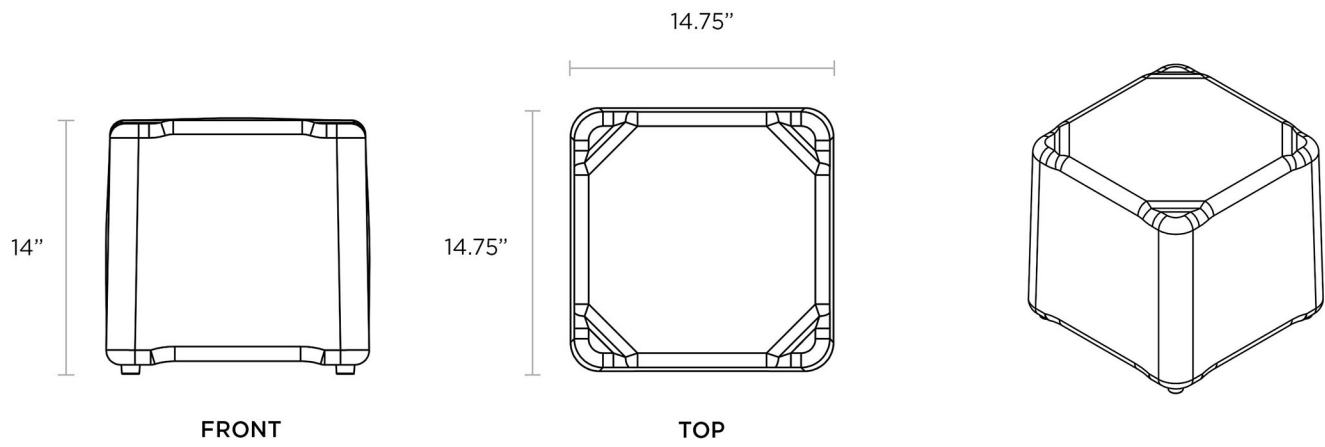
CIRCLE LARGE



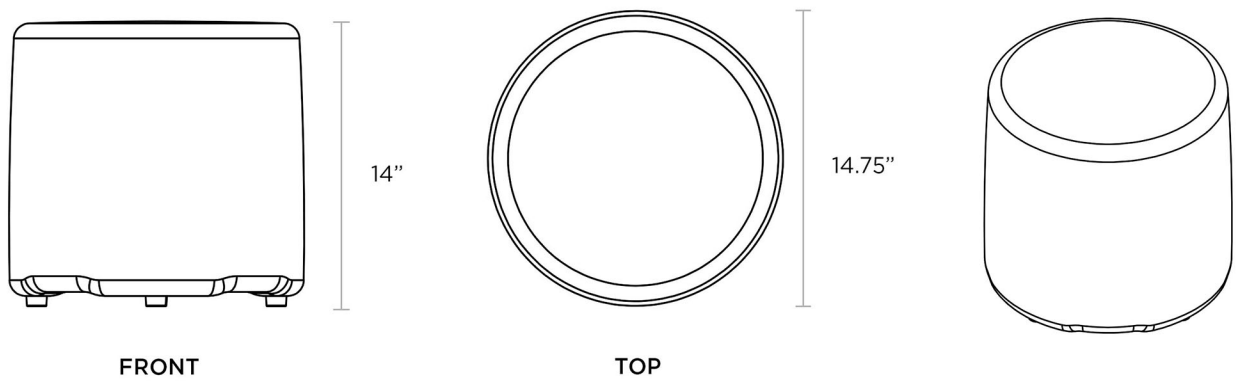
CRESCENT LARGE



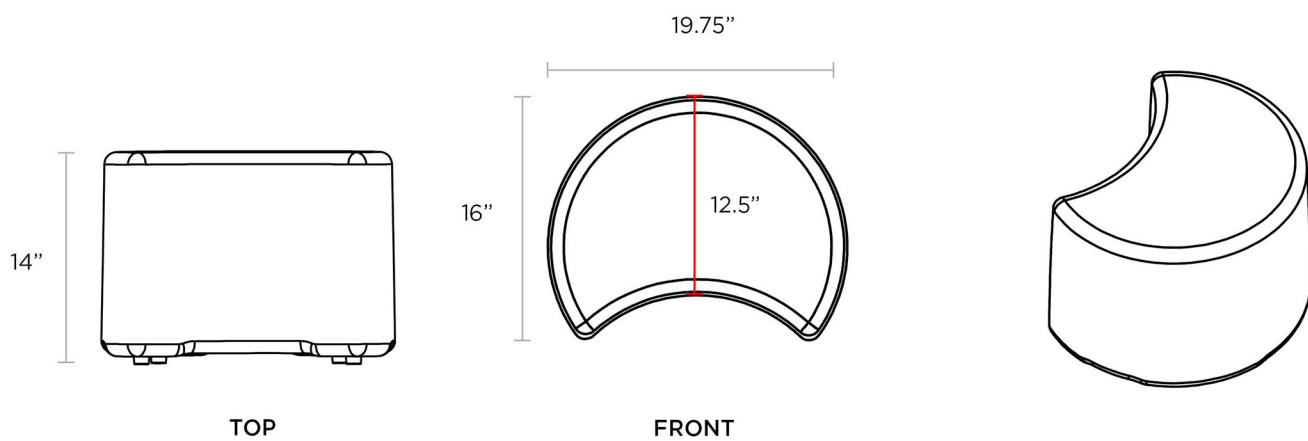
CUBE SMALL



CIRCLE SMALL



CRESCENT SMALL



WEIGHTED SEATING

Do you need seating that weighs more?

Are you furnishing a rooftop entertainment venue, condominium balcony, or public park? These are just some of the locations where your seating may need to have added weight for safety or theft prevention. Consider adding optional item #WEIGHTCAP to the Session Series versions of these products. When #WEIGHTCAP is added to the bench, a 1.75" diameter screw plug is added to the bottom. This allows for pea-size gravel to be funneled into the core of the product for additional weight. This option is factory installed and must be added at the time of manufacturing. Installation supplies and gravel are not provided by Tenjam.



#WEIGHTCAP: Allows for adding gravel to increase total seat weight. See below for approximate weights.

Session Cube Small: + 25 lbs, ~34 lbs when filled.

Session Circle Small: + 25 lbs, ~32 lbs when filled.

Session Crescent Small: + 25 lbs, ~35 lbs when filled.

Session Cube Large: + 50 lbs, ~64 lbs when filled.

Session Circle Large: + 50 lbs, ~61 lbs when filled.

Session Crescent Large: + 50 lbs, ~67 lbs when filled.

PRODUCT CODES

Session Cube



#11201AX __ - Session Cube Small, Color TBD
14.75 Length x 14.75" Width x 14" Height, 9 lbs

#11201BX __ - Session Cube Large, Color TBD
17.75" Length x 17.75" Width x 17" Height, 14 lbs

Session Circle



#11301AX __ - Session Circle Small, Color TBD
14.75" Diameter x 14" Height, 7 lbs

#11301BX __ - Session Circle Large, Color TBD
17.75" Diameter x 17" Height, 11 lbs

Session Crescent



#11401AX __ - Session Crescent Small, Color TBD
13.75" Diameter x 14" Height, 10 lbs

#11401BX __ - Session Crescent Large, Color TBD
19.75" Diameter x 17" Height, 17 lbs

STANDARD COLORS

2 digit color codes to be used in the blank spaces in the product codes.



Lime Green
LM



Yellow
YE



Orange
OR



Red
RD



Violet
VI



Sea Foam Green
SF



Surf Blue
SB



Light Blue
LB



Medium Blue
MB



Dark Blue
DB



Desert Tan
DT



Medium Gray
MG



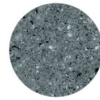
Anthracite Gray
AG



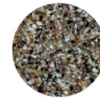
White
WH



Cobblestone
CS



Gray Granite
GG



River Rock
RR