



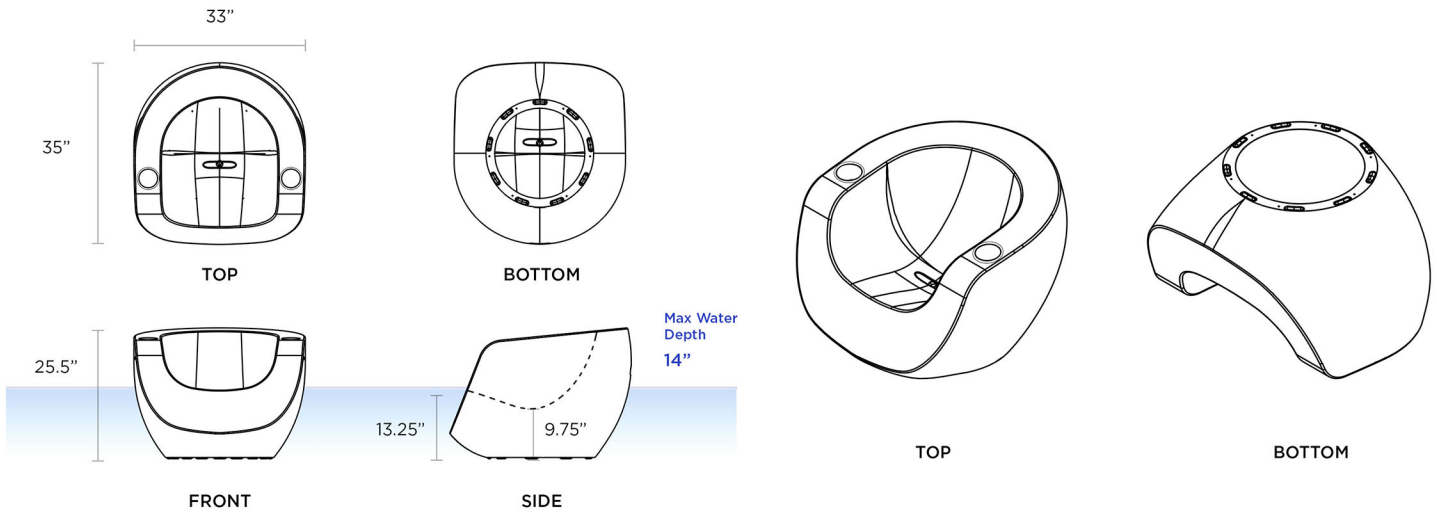
MOON CHAIR

SPLASH & SESSION Series

This retro-futuristic chair is like a work of art. With fluid, curving lines - as though carved from a single block. Moon chair sits low and relaxed. Made with rotationally molded hard polyethylene material for supreme impact strength. Waterproof and weather resistant. Bring on the sun, sand, snow, salt, and rain...this chair can take it.

- Easy to clean and sanitize.
- Ultra-low VOC emissions to promote healthy indoor air quality.
- Fire test compliant with CAL117-2013 and has zero added flame retardant chemicals.
- Supports up to 750 lbs.
- Rounded edges and corners for safety.
- Seat drains liquids and dries fast.
- 100% recyclable.





PRODUCT INFO

This version has a 13.25" seat height at the front edge of the seat, and is designed to be placed in the shallow water of a swimming pool. The maximum water depth should not exceed 14". This version has a large bottom opening added so water can easily enter and exit the core of the product. Set it in the pool and it rests in place. Pull it from the pool and it quickly releases the water from the core of the product so it can be used on the pool deck. This version has a carrying hole added to the back of the chair. Choose between black or white cupholders. This version does not have rubber legs or any metal components.

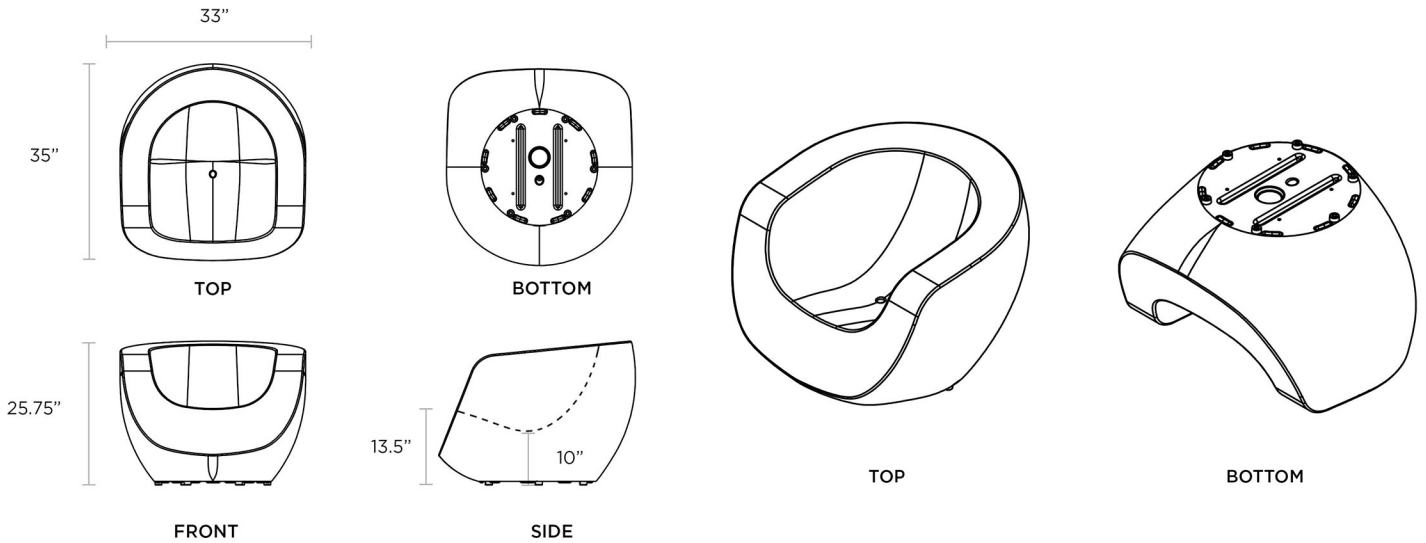
SPL22102BX __ BL - Splash Moon Chair, Color TBD, Black Cupholders

SPL22102BX __ WH - Splash Moon Chair, Color TBD, White Cupholders

SPLASH STANDARD COLORS



2 digit color code corresponds to the blank spaces in the product SKUs above.



**SESSION
PRODUCT
INFO**

This version has a 13.5" seat height and includes Santoprene® rubber legs for floor grip and protection. This version does not have handles, cupholders, or openings on the bottom and is not modified for use in a swimming pool. This version does allow for the optional item #WEIGHTCAP.

#22102BX __ - Session Moon Chair, Color TBD

Do you need seating that weighs more?

Are you furnishing a rooftop entertainment venue, condominium balcony, or public park? These are just some of the locations where your seating may need to have added weight for safety or theft prevention. Consider optional item #WEIGHTCAP for the Session Series version of Moon Chair. When #WEIGHTCAP is added to the product, a 1.75" diameter screw plug is added to the bottom of the chair. This allows for pea-size gravel to be funneled into the core of the product for additional weight. This option is factory installed and must be added at the time of manufacturing. Installation supplies and gravel are not provided by Tenjam.

#WEIGHTCAP: Allows for adding up to 100 lbs of gravel to Moon Chair. Approximately 133 lbs when filled.



STANDARD COLORS

2 digit color code corresponds to the blank spaces in the product SKUs above.

 Lime Green LM	 Yellow YE	 Orange OR	 Red RD	 Violet VI	 Sea Foam Green SF
 Surf Blue SB	 Light Blue LB	 Medium Blue MB	 Dark Blue DB	 Desert Tan DT	 Medium Gray MG
 Anthracite Gray AG	 White WH	 Cobblestone CS	 Gray Granite GG	 River Rock RR	