

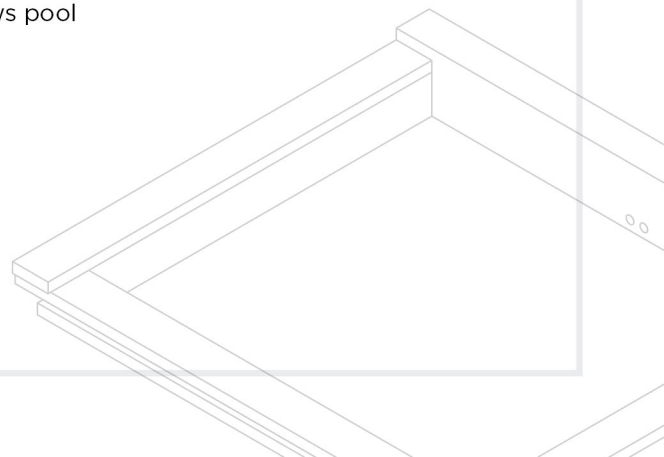


INFINITY

FREESTANDING SUN SHELF

Millions of swimming pools were built before the sun shelf grew in popularity. Approximately 90% of new pools incorporate this popular feature. It's possible to renovate an existing pool to add a sun shelf, but this often leads to a long and expensive project.

Infinity, by Tenjam, is a freestanding sun shelf that can be delivered, installed, and ready for use on the same day. No need to tear up your yard with heavy equipment, no need to jackhammer and dig a hole in your pool deck, and no need to put it all back together. Your only requirement is to have a new plumbing line added to that back of the Infinity unit so your pool equipment can push water into Infinity so the waterfall functions and this allows pool water to recirculate through the entire system.



INFINITY FREESTANDING SUN SHELF

Your pool oasis will now have the tranquil sound and sight of an 80" sheer waterfall curtain. A pool waterfall increases water circulation which improves filtration and oxygenation, and reduces algae growth. Plus, everyone loves to swim and play under the waterfall.

Infinity has up to an 8" water depth that accepts all brands of in-pool furniture. Tenjam in-pool furniture is the easiest to place into water and remove from the water. Sized to accept two loungers or chairs, and allow for rotation of the furniture for sun exposure positioning.

FEATURES

- 7.5" to 8" water depth. Fluctuates based on water flow from return jet.
- 80" Sheer waterfall curtain (a minimum of 85 GPM is recommended).
- Made with structural, welded polypropylene panels used to build plunge pools in Europe for more than 20 years. Approved for in-ground and above-ground installations.
- Standard 1.5" light niche located in the back wall. Install your own nicheless pool light.
- Removable side and back panels allow full access to the plumbing connection and provide a cavity for running low voltage lighting or add-on components.

SPECIFICATIONS

Palletized size	96"L x 40"W x 91"H
<small>Ships in a wood crate via freight carrier - Up to two units per pallet.</small>	
Dry weight	450 LBS (Approx)
Water capacity	180 GAL
Loaded weight	4000 LBS (Approx)
<small>Water, furniture, & up to 4 people</small>	
Water depth	7.5" - 8"
Furniture capacity	2 loungers or chairs
Inner dimensions	80"L x 68"W
Drain plug	None
<small>User must use a secondary pump (not provided) to remove water from the product.</small>	
Side Panels	Removeable

Hand welded polypropene rigid plastic panels are used for construction: The panels have visible grid lines on the surface and all panels have a plastic weld that has visual imperfections. The product is suitable for above-ground and in-ground applications. It's also suggested to build a composite stair/deck structure with handrails around the product for safety and improved aesthetic.

GRAY SIDE PANELS



TAN SIDE PANELS



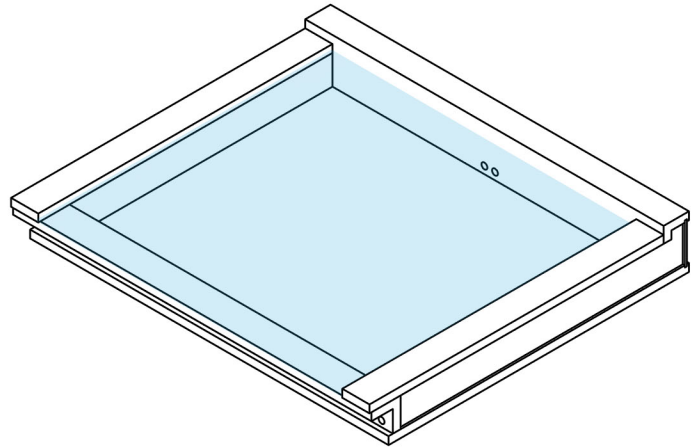
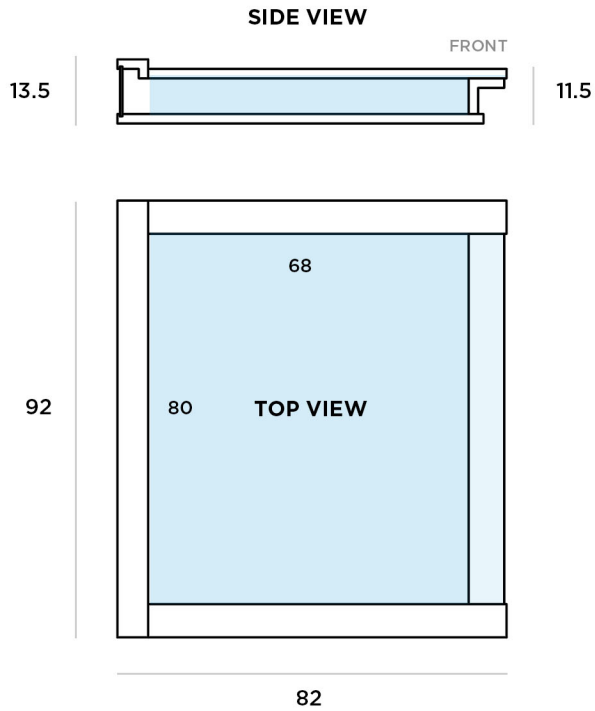
CUSTOMIZE YOUR OWN BUILT-IN STYLE

INFINITY FREESTANDING SUN SHELF

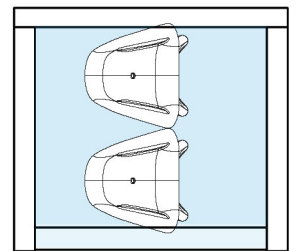
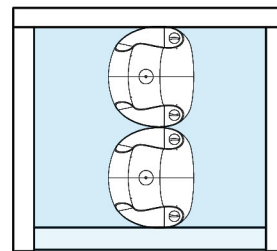
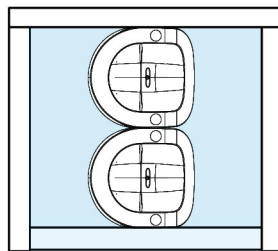
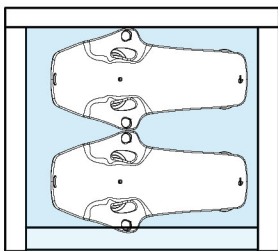
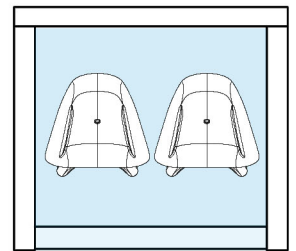
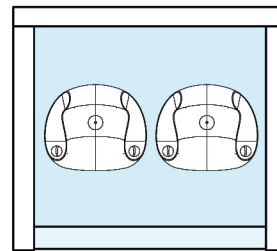
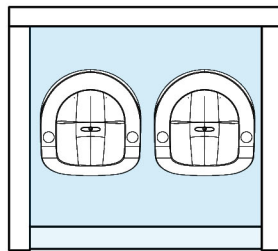
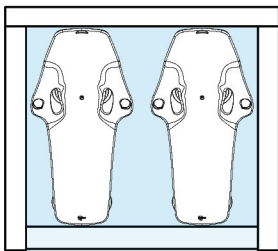
PRODUCT INFO

#SPLSHELFTA: - Infinity with Tan Removeable Panels

#SPLSHELFGFR: - Infinity with Gray Removeable Panels



USE WITH TENJAM SPLASH IN-POOL FURNITURE



SHAYZ LOUNGER

MOON

MIBSTER

WOOSAH

INFINITY FREESTANDING SUN SHELF

CHECKLIST BEFORE ORDERING

1. Must have a straight side of your pool that is at least 96" in length without a curve.
2. A flat level area that is at least 92" Length x 76" width. A level surface is most critical along the front waterfall edge, this ensures a balanced sheer waterfall. The use of composite shims is acceptable, but no more than 1/8" in height is allowed for shimming (on one front corner) to create a balanced waterfall. Infinity will operate if the pool deck surface has up to a 1" fall from the front waterfall edge to the back wall of the unit. Shimming is acceptable on one back corner if needed, but no more than 1/8" in height. It maybe necessary to build a level surface for Infinity prior to installation.
3. Dry weight is 450 lbs. Once filled with approximately 180 gallons of water, furniture, and up to 4 people the weight will be between 3000 to 4000 lbs. The location where you are placing Infinity must be able to support 4000 lbs. We recommend consulting a Structural Engineer.
4. Infinity has a 2" PVC plumbing connection centered on the back of the unit. You will need to have a dedicated plumbing line added from your pool pump to the Infinity unit. You must verify that you can add a new plumbing line to the back of Infinity. A minimum of 85 GPM flow is recommended to create the look of the sheer waterfall curtain.

The product will need to be carried by at least four people from the delivery vehicle to the installation location. Ensure the delivery crew has an unobstructed path.

▲ RISK OF INJURY & DEATH

Use of this product is at your own risk. Infinity Freestanding Sun Shelf is not a diving or jumping platform. Diving or jumping from this product could cause injury or death. Standing on the edges of the waterfall spillover is prohibited. These surfaces are slippery when wet. Children must be directly supervised in any pool environment, including this product. Infinity is not a splash pad play zone. Infinity is a hand-welded hard plastic product with hard edges and pointed corners. Playing in or around Infinity could lead to injury or death in the event of a fall accident. To increase safety it is recommended that staircases with handrails are added around the product.

PROFESSIONAL INSTALLATION RECOMMENDED

1. Remove from the shipping crate and remove the side and back access panels to reduce the weight. Dry weight is approximately 450 lbs and four people are recommended for carrying.
2. Set along any side of your pool that has an 8' strait section. The bottom front edge of Infinity should be flush with the edge of your pool.
3. Use composite shims (not provided) to level. It's important that the front edge is level to create a uniform waterfall. Shims can only be used on one front corner and you may not raise the corner more than 1/8". It maybe necessary to build a level platform for Infinity if the front edge of the pool deck is more than 1/8" out of level across the front of the unit.
4. Infinity has a 2" PVC slip fitting centered in the back of the unit. Connect plumbing to the to the back of Infinity. It's recommended that the plumbing connection is easy to uncouple so Infinity can be moved when a safety cover is added to the pool. Be sure to make the plumbing connection through the hole in the removable back panel so the panel can be reattached to hide the connection.
5. Replace the removable side panels first and the rear panel last.